

WIRE MANAGEMENT

Route and manage accessory wires and switches in seconds,
protecting the gear that protects you!



MANTA®
www.manta.us





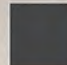
WIRE MANAGEMENT

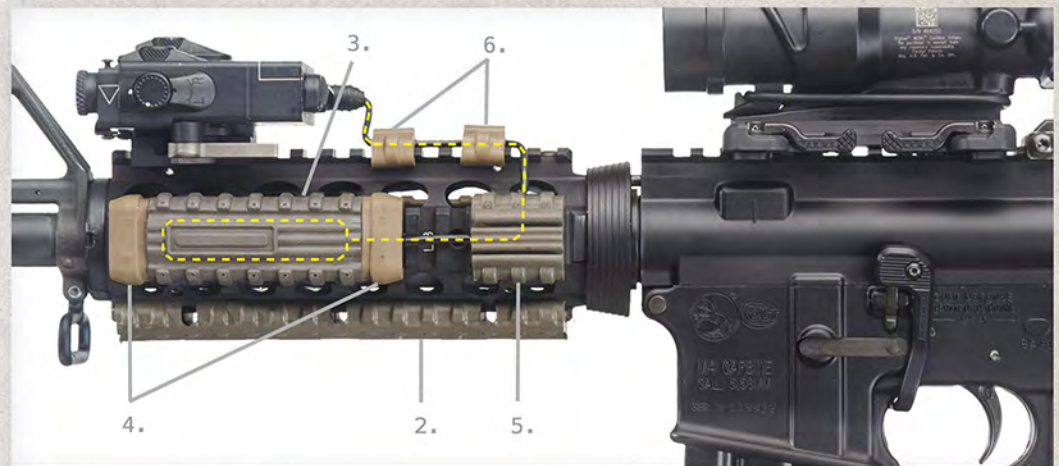
Micro-Pocket Switch Holders, Wire Clips, Cross Clips and Wire Routing Rail Guards, create the ability to route and capture accessory wires and pressure pads, keeping them locked to the weapon while protecting them from external hazards. Simply slip a switch into the Micro-Pocket or place a wire in a desired location and snap the components in place. MANTA products feature a patented internal stainless steel skeleton that provides adjustability to increase grip tension locking components to the rail.

FEATURED COMPONENTS:

1. Vertical/Pistol Grip Sleeve With Micro Pocket Switch Holder
2. Low Profile Wire Routing Rail Guard
3. Micro Pocket Switch Holder
4. Micro Pocket End Caps
5. Cross Clips
6. Wire Clips

COLOR OPTIONS:

 Tan (FDE)	 Green (OD)	 Black (BLK)
--	---	--



WIRE MANAGEMENT

All MANTA products interface together in a multitude of configurations. Simply snap the components anywhere on a rail in seconds and create a hardwearing rubberlike grip interface that is unaffected by the harshest environmental conditions, extreme heat, chemicals or abrasion.

